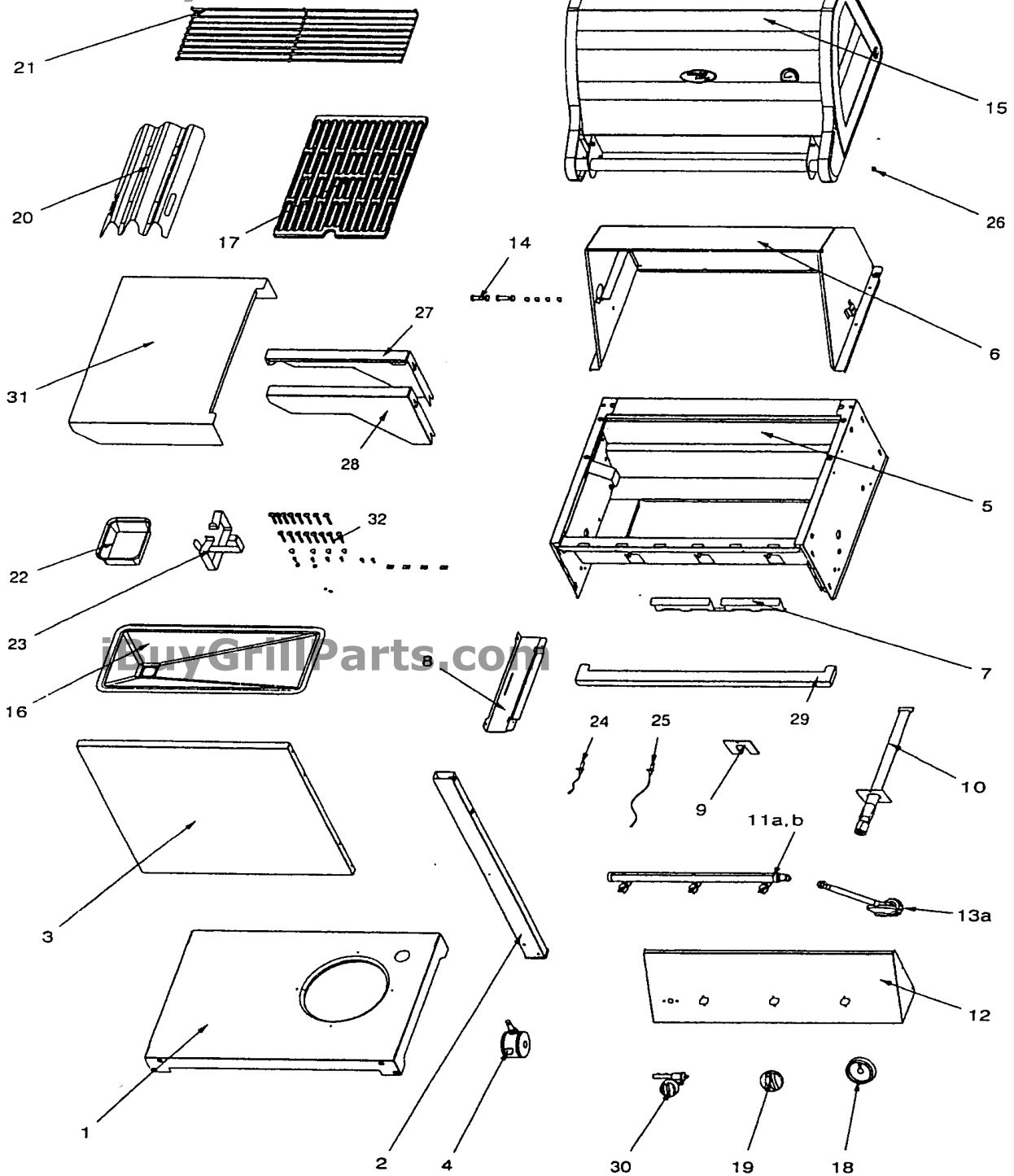


iBuyGrillParts.com

888-634-4289



iBuyGrillParts.com

888-634-4289



PARTS ORDER FORM

Doc # VC9030

<input checked="" type="checkbox"/>	REF	DESCRIPTION	QTY	PART #
<input type="checkbox"/>	1	BOTTOM PANEL ASSY	1	50002625
<input type="checkbox"/>	2	LEG ASSY	4	50001317
<input type="checkbox"/>	3	FRONT PANEL - BLUE	1	50002768
<input type="checkbox"/>	4	CASTER (POP IN)	4	50000090
<input type="checkbox"/>		CASTER INSERT	4	50001318
<input type="checkbox"/>	5	BASE ASSY - NEED MANAGERS APPROVAL	1	50001462
<input type="checkbox"/>	6	LID ASSY - REAR. Also send p/n 50000355 .	1	50003512
<input type="checkbox"/>	7	FLASH TUBE	1	50001300B
<input type="checkbox"/>	8	GREASE PAN SUPPORT	2	50001302
<input type="checkbox"/>	9	BURNER GASKET	3	50000892
<input type="checkbox"/>	10	BURNER TUBE with SHORT ELECTRODE	1	50003100
<input type="checkbox"/>		BURNER TUBE with LONG ELECTRODE	2	50003133
<input type="checkbox"/>	NS	BURNER REPAIR KIT - to be sent out when the base assembly has rusted through at the point of attachment with the burner.	3	50003457
<input type="checkbox"/>	11A	VALVE ASSY NG - NEEDS TECH APPROVAL	1	50001439
<input type="checkbox"/>	11B	VALVE ASSY LP - NEEDS TECH APPROVAL	1	50001438
<input type="checkbox"/>	12	CONSOLE ASSY 9030	1	50001440
<input type="checkbox"/>	13A	REGULATOR LP	1	50003647
<input type="checkbox"/>	13B	12' NATURAL GAS HOSE	1	50000198
<input type="checkbox"/>	14	PIVOT PIN & BOLT SET - Send with lid assembly	1	50000355
<input type="checkbox"/>	15	LID ASSY - FRONT. Also send p/n 50000355 .	1	50002606
<input type="checkbox"/>	16	GREASE PAN	1	50001301
<input type="checkbox"/>	17	COOKING GRIDS (PACK OF 2 ONLY) - Not warrantied against chipping, scratching or rust (because they must chip to rust).	1	50001314 or 50003933
<input type="checkbox"/>	18	BEZEL	3	50001327
<input type="checkbox"/>	19	CONTROL KNOB	3	50001455
<input checked="" type="checkbox"/>	REF	DESCRIPTION	QTY	PART #
<input type="checkbox"/>	20	HEAT PLATE (ENAMEL) - Not warrantied against chipping, scratching or rust (must chip to rust).	3	50000777



PARTS ORDER FORM

Doc # VC9030

<input type="checkbox"/>	21	WARMING RACK (ENAMEL) - Not warranted against chipping, scratching or rust (must chip to rust).	1	50001311
<input type="checkbox"/>	22	GREASE CUP - SALE ONLY (Wear & tear item)	1	50001845
<input type="checkbox"/>	23	GREASE CUP HOLDER	1	50001319
<input type="checkbox"/>	24	ELECTRODE SHORT - MAIN	1	50000071
<input type="checkbox"/>	25	ELECTRODE LONG - MAIN	2	50000072
<input type="checkbox"/>	26	LID BUMPERS	4	50000177
<input type="checkbox"/>	27	SUPPORT SHELF BLACK - Left rear & right front	2	50001418
<input type="checkbox"/>	28	SUPPORT SHELF BLACK - Right rear & left front	2	50001419
<input type="checkbox"/>	29	FRONT LIP	1	50001482B
<input type="checkbox"/>	30	IGNITOR ASSY - 3 TERM. & IGNITOR KNOB incl.	1	50000358
<input type="checkbox"/>	31	SIDE SHELF	2	50002529B
<input type="checkbox"/>	32	HARDWARE BAG	1	50001390
<input type="checkbox"/>		TEMPERATURE GAUGE	1	50001643
<input type="checkbox"/>		VC LOGO	1	50001533
<input type="checkbox"/>		CONSOLE REPAIR KIT - to be sent out to the customer if they complain that the cooking grids are falling into the tub. Attaches to the back of the tub.	1	50003432
<input type="checkbox"/>		BBQ COVER - SALE ITEM	1	VC303-3496
<input type="checkbox"/>		26" ROTISSERIE KIT - SALE ITEM	1	VC703-1244

888-634-4289

iBuyGrillParts.com

888-634-4289