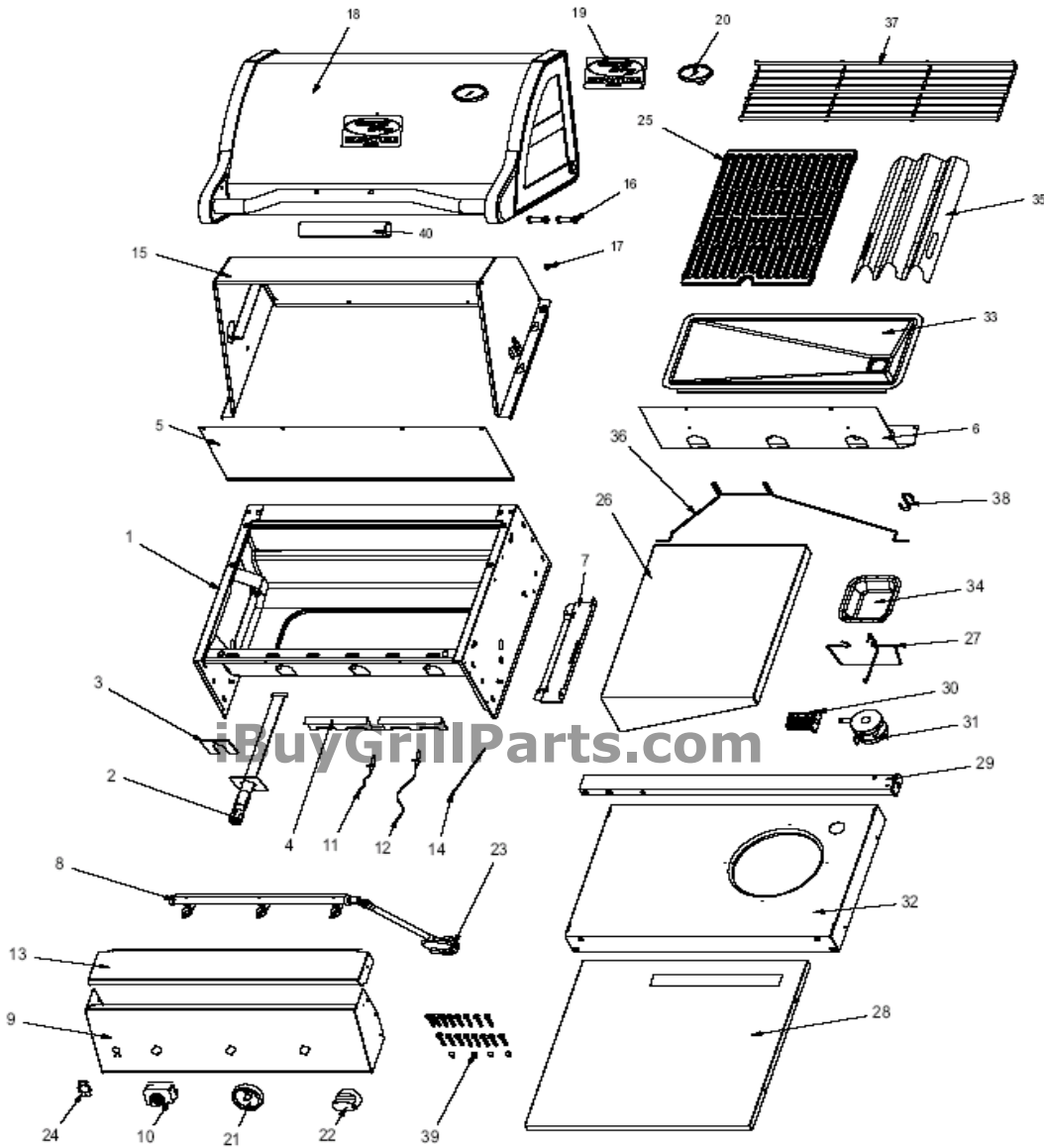




iBuyGrillParts.com **VCS3505 (2005)**

**888-634-4289**



iBuyGrillParts.com

**888-634-4289**



# REPLACEMENT PARTS/ORDER FORM

Document #: 3505

## VCS3505 (2005)

## 888-634-4289

<input checked="" type="checkbox"/>	REF	DESCRIPTION	QTY	VC3505
<input type="checkbox"/>	1	<b>BASE ASSY - <u>THROUGH DEALER ONLY</u></b>	1	50002608
<input type="checkbox"/>	2	BURNER ASSY WITH LONG ELECTRODE	2	50003133
<input type="checkbox"/>		BURNER ASSY WITH SHORT ELECTRODE	1	50003100
<input type="checkbox"/>	3	BURNER GASKET	3	50000892
<input type="checkbox"/>	4	FLASH TUBE	1	50001300B
<input type="checkbox"/>	5	PANEL, REAR UPPER	1	50001299
<input type="checkbox"/>	6	HEAT SHIELD CONSOLE	1	50001286B
<input type="checkbox"/>	7	SUPPORT, GREASE PAN	2	50001302
<input type="checkbox"/>	8A	<b>VALVE ASSY LP - <u>THROUGH DEALER ONLY</u></b>	1	50002516
<input type="checkbox"/>	8B	<b>VALVE ASSY NG - <u>THROUGH DEALER ONLY</u></b>	1	50002515
<input type="checkbox"/>	9	CONSOLE ASSY	1	50002949
<input type="checkbox"/>	10	IGNITOR KIT	1	50000816
<input type="checkbox"/>	11	ELECTRODE, MAIN - SHORT	1	50000431
<input type="checkbox"/>	12	ELECTRODE, MAIN - LONG	2	50000523
<input type="checkbox"/>	13	CONSOLE LIP	1	50002916B
<input type="checkbox"/>	14	GROUND WIRE, FLAT PRONG	1	50002212
<input type="checkbox"/>	15	REAR LID ASSY - <b>Also send p/n 50000355.</b>	1	50003512
<input type="checkbox"/>	16	PIVOT PIN & BOLT SET <b>Send with lid assembly.</b>	1	50000355
<input type="checkbox"/>	17	LID BUMPERS ( <b>SET OF 6</b> )	1	50000365
<input type="checkbox"/>	18	FRONT LID ASSY - <b>Also send p/n 50000355.</b>	1	50002944
<input type="checkbox"/>	19	LOGO	1	50002798
<input type="checkbox"/>	20	TEMPERATURE GAUGE	1	50001643
<input type="checkbox"/>	21	BEZEL	3	50002551
<input type="checkbox"/>	22	CONTROL KNOB	3	50001328
<input type="checkbox"/>	23A	<b>REGULATOR LP - <u>THROUGH DEALER ONLY</u></b>	1	50001308
<input type="checkbox"/>	23B	<b>12' HOSE NG - <u>THROUGH DEALER ONLY</u></b>	1	50000198
<input type="checkbox"/>	24	IGNITER PLATE	1	50002533
<input type="checkbox"/>	25	COOKING GRIDS (ENAMEL) - SET OF 2	1	50003765
<input type="checkbox"/>	26	SHELF, TOP, L/R	2	50002623B
<input type="checkbox"/>	27	GREASE CUP HOLDER	1	50001319
<input type="checkbox"/>	28	FRONT PANEL KIT	1	50002947
<input type="checkbox"/>	29	LEG, FINAL ASSEMBLY	4	50002628
<input type="checkbox"/>	30	CASTER INSERT	4	50002534
<input type="checkbox"/>	31	CASTER	4	50000090
<input checked="" type="checkbox"/>	REF	DESCRIPTION	QTY	VC3505



# REPLACEMENT PARTS/ORDER FORM

Document #: 3505

**VCS3505 (2005)**

**888-634-4289**

<input type="checkbox"/>	32	PANEL ASSEMBLY, BOTTOM	1	50002625
<input type="checkbox"/>	33	GREASE PAN	1	50001301
<input type="checkbox"/>	34	GREASE CUP, DRAWN	1	50001845
<input type="checkbox"/>	35	HEAT PLATE, ENAMEL	3	50000877
<input type="checkbox"/>	36	CYLINDER RETAINER - <b>LP MODELS ONLY</b>	1	50002097
<input type="checkbox"/>	37	WARNING RACK, ENAMEL	1	50001311
<input type="checkbox"/>	38	UTENSIL HOOK	3	50002605
<input type="checkbox"/>	39	HARDWARE BAG	1	50002766
<input type="checkbox"/>	40	HANDLE GRIP SET	1	50000642
<input type="checkbox"/>	NS	BBQ COVER	1	VCDC3S

**iBuyGrillParts.com**

**iBuyGrillParts.com**

**888-634-4289**