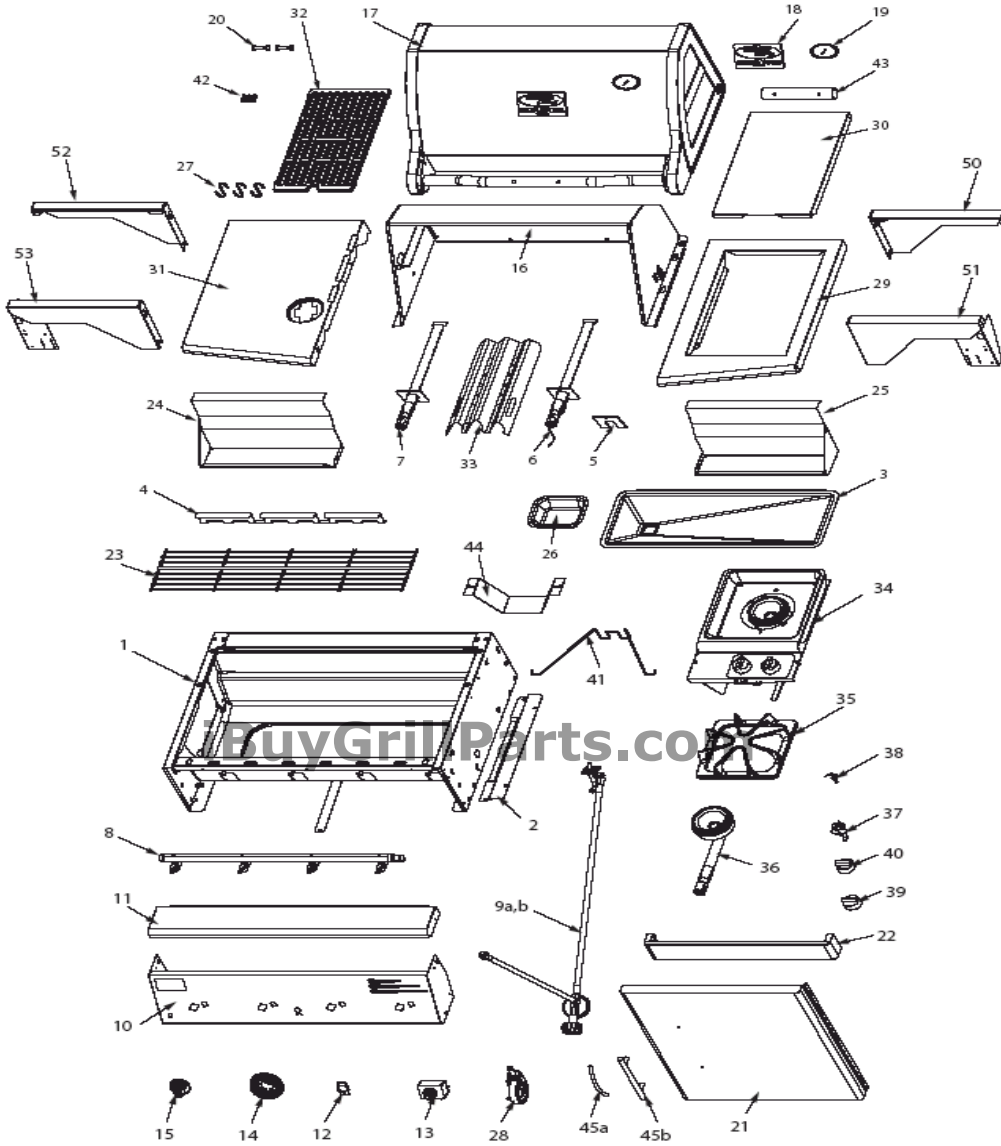




VCS4005 (2005)

888-634-4289



iBuyGrillParts.com

888-634-4289



REPLACEMENT PARTS/ORDER FORM

Document #: 4005

VCS4005 (2005)

888-634-4289

| <input checked="" type="checkbox"/> | REF | DESCRIPTION | QTY | VC4005 |
|-------------------------------------|-----|---|-----|-----------|
| <input type="checkbox"/> | 1 | BASE ASSY - THROUGH DEALER ONLY | 1 | 50003348 |
| <input type="checkbox"/> | 2 | SUPPORT, GREASE PAN | 2 | 50001844 |
| <input type="checkbox"/> | 3 | GREASE PAN | 1 | 50001842 |
| <input type="checkbox"/> | 4 | FLASH TUBE | 1 | 50000879 |
| <input type="checkbox"/> | 5 | BURNER GASKET | 4 | 50000892 |
| <input type="checkbox"/> | 6 | BURNER ASSY WITH LONG ELECTRODE | 2 | 50003133 |
| <input type="checkbox"/> | 7 | BURNER ASSY WITH SHORT ELECTRODE | 2 | 50003100 |
| <input type="checkbox"/> | 8A | VALVE ASSY LP - THROUGH DEALER ONLY | 1 | 50002822 |
| <input type="checkbox"/> | 8B | VALVE ASSY NG - THROUGH DEALER ONLY | 1 | 50002823 |
| <input type="checkbox"/> | 9A | S. BURNER VALVE ASSY LP - DEALER ONLY | 1 | 50002900 |
| <input type="checkbox"/> | 9B | S. BURNER VALVE ASSY NG - DEALER ONLY | 1 | 50002901 |
| <input type="checkbox"/> | 10 | CONSOLE PRINTED | 1 | 50003072 |
| <input type="checkbox"/> | 11 | CONSOLE REINFORCEMENT | 1 | 50003319 |
| <input type="checkbox"/> | 12 | IGNITER PLATE | 1 | 50002533 |
| <input type="checkbox"/> | 13 | IGNITOR KIT | 1 | 50000816 |
| <input type="checkbox"/> | 14 | BEZEL ASSY - BACKLIT | 4 | 50003002 |
| <input type="checkbox"/> | 15 | KNOB ASSY - BACKLIT | 4 | 50003003 |
| <input type="checkbox"/> | 16 | REAR LID ASSY - Also send p/n 50000355. | 1 | 50003514 |
| <input type="checkbox"/> | 17 | FRONT LID ASSY - Also send p/n 50000355. | 1 | 50003069 |
| <input type="checkbox"/> | 18 | LOGO VC 2005 | 1 | 50002798 |
| <input type="checkbox"/> | 19 | TEMPERATURE GAUGE | 1 | 50001643 |
| <input type="checkbox"/> | 20 | PIVOT PIN & BOLT SET Send with lid assembly. | 1 | 50000355 |
| <input type="checkbox"/> | 21 | DOOR ASSEMBLY | 1 | 50003320 |
| <input type="checkbox"/> | 22 | FASCIA DOOR | 1 | 50003322 |
| <input type="checkbox"/> | 23 | WARMING RACK, ENAMEL | 1 | 50000802 |
| <input type="checkbox"/> | 24 | CONDIMENT TRAY - LEFT | 1 | 50003304B |
| <input type="checkbox"/> | 25 | CONDIMENT TRAY - RIGHT | 1 | 50003282B |
| <input type="checkbox"/> | 26 | GREASE CUP, DRAWN | 1 | 50001845 |
| <input type="checkbox"/> | 27 | UTENSIL HOOK (PACK OF 3) | 1 | 50003011 |
| <input type="checkbox"/> | 28 | CASTER 3" X 7/8" | 4 | 50003068 |
| <input type="checkbox"/> | 29 | SHELF, RIGHT | 1 | 50003330 |
| <input type="checkbox"/> | 30 | SIDE BURNER LID ASSY | 1 | 50003059 |
| <input type="checkbox"/> | 31 | SIDE SHELF LEFT (SOLID) | 1 | 50003333 |
| <input type="checkbox"/> | 32 | COOKING GRIDS (PACK OF 3) | 1 | 50001226 |
| <input checked="" type="checkbox"/> | REF | DESCRIPTION | QTY | VC4005 |



REPLACEMENT PARTS/ORDER FORM

Document #: 4005

VCS4005 (2005)

888-634-4289

| | | | | |
|--------------------------|----|---|---|-----------|
| <input type="checkbox"/> | 33 | HEAT PLATE - S/S | 4 | 50000777 |
| <input type="checkbox"/> | 34 | SIDE BURNER ASSY | 1 | 50003043M |
| <input type="checkbox"/> | 35 | SIDE BURNER GRATE | 1 | 50001035 |
| <input type="checkbox"/> | 36 | SIDE BURNER - BURNER | 1 | 50001044 |
| <input type="checkbox"/> | 37 | SIDE BURNER IGNITOR - ROTARY | 1 | 50000111 |
| <input type="checkbox"/> | 38 | SIDE BURNER ELECTRODE | 1 | 50000115 |
| <input type="checkbox"/> | 39 | SIDE BURNER CONTROL KNOB | 1 | 50000113 |
| <input type="checkbox"/> | 40 | SIDE BURNER IGNITOR KNOB | 1 | 50000070 |
| <input type="checkbox"/> | 41 | CYLINDER RETAINER - LP MODELS ONLY | 1 | 50002888 |
| <input type="checkbox"/> | 42 | LID BUMPERS (SET OF 6) | 1 | 50000365 |
| <input type="checkbox"/> | 43 | HANDLE GRIP SET - CHARCOAL | 1 | 50000642 |
| <input type="checkbox"/> | 44 | STABILIZER BRACKET ASSY | 1 | 50003198 |
| <input type="checkbox"/> | 45 | DOOR HANDLE ROUND | 1 | 50003208 |
| <input type="checkbox"/> | 46 | HARNESS - BACKLIT KNOW | 1 | 50002999 |
| <input type="checkbox"/> | 47 | HARNESS - SHELF LIGHT | 1 | 50003105 |
| <input type="checkbox"/> | 48 | SHELF LIGHT ASSY | 1 | 50003106 |
| <input type="checkbox"/> | 49 | RETAINING RING - LIGHT | 1 | 50003109 |
| <input type="checkbox"/> | 50 | REAR TABLE SUPPORT - RIGHT | 1 | 50001419 |
| <input type="checkbox"/> | 51 | FRONT TABLE SUPPORT - RIGHT | 1 | 50003314 |
| <input type="checkbox"/> | 52 | REAR TABLE SUPPORT - LEFT | 1 | 50001418 |
| <input type="checkbox"/> | 53 | FRONT TABLE SUPPORT - LEFT | 1 | 50003315 |
| <input type="checkbox"/> | 65 | BBQ COVER | 1 | VCDC4S |

iBuyGrillParts.com

888-634-4289