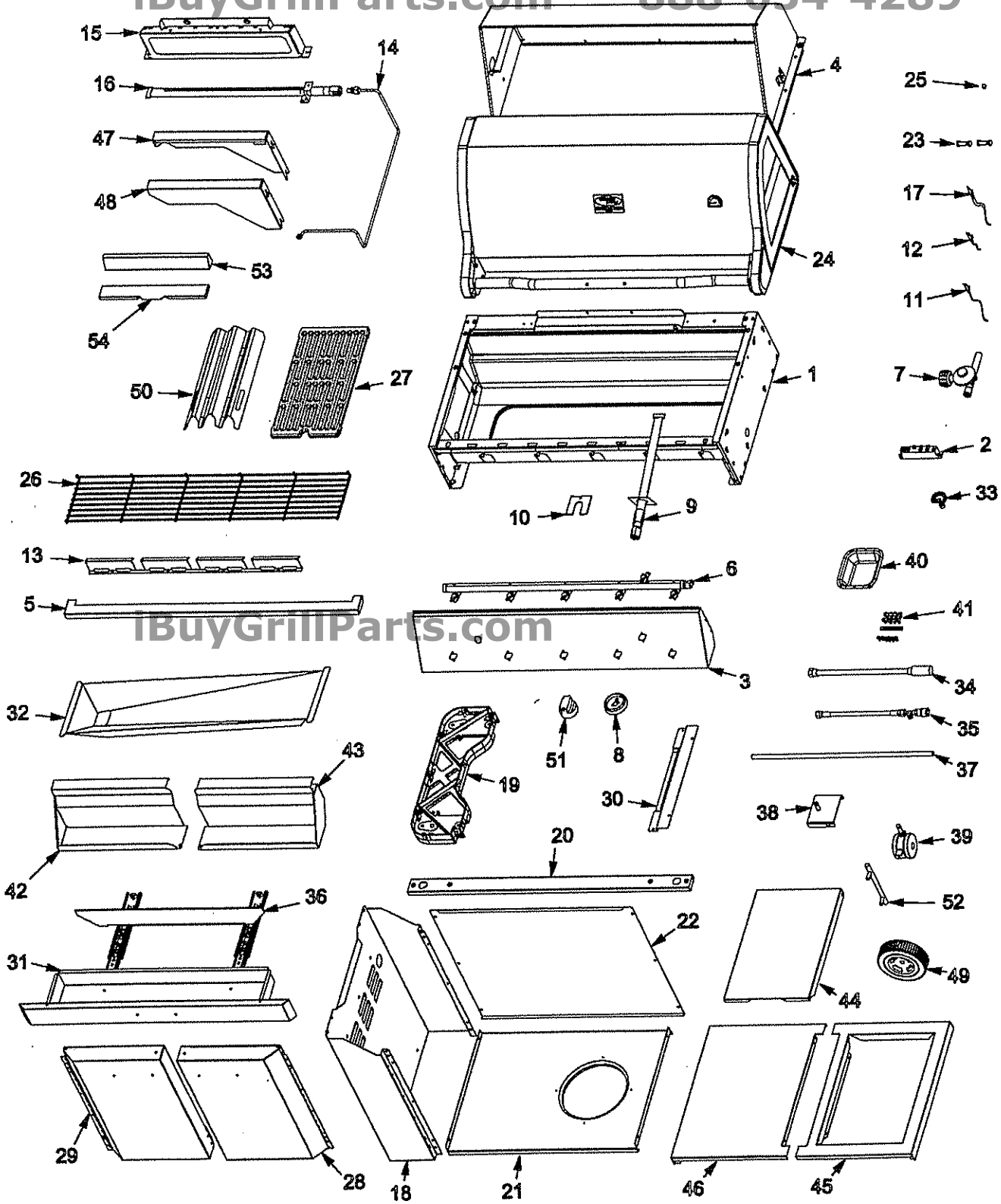


VCS4000/5000 ASSEMBLY DRAWING

iBuyGrillParts.com

888-634-4289



iBuyGrillParts.com

888-634-4289

VCS4000/5000 PARTS LIST

iBuyGrillPa

ITEM	DESCRIPTION	No. Reqd.	VCS4000	VCS5000
1	Base Assembly	1	50001815	50001816
2	Ignitor Assembly Kit, 6-Pole	1	50001619	50001619
3	Console Assembly	1	50002137	50002136
4	Lid Assembly, Rear	1	50001537	50001538
5	Front Lip	1	50001818	50001819
6.a	Valve Assembly, LP	1	50001402	50000803
6.b	Valve Assembly, Natural Gas	1	50001423	50000852
7	Regulator - H	1	50000804	5000-804
8	Bezel	5/6	50001327	50001327
9	Burner Main Assembly	4/5	50000835	50000835
10	Gasket, Burner	4/5	50000892	50000892
11	Electrode, Main - Long	2/3	50000523	50000523
12	Electrode, Main - Short	2	50000431	50000431
13	Flash Tube	1	50000879	50000880
14.a	Tube and Orifice Assembly - LP	1	50001415	50000819
14.b	Tube and Orifice Assembly - Natural Gas	1	50001428	50000818
15	Rotisserie Housing/ Screen Assembly	1	50001416	50000961
16	Burner Rotisserie Assembly	1	50000047	50000875
17	Electrode, Rotisserie	1	50000981	50000981
18	Cabinet End	2	50001929	50001918
19	Cabinet Form Block	4	50001835	50001835
20	Strut	2/3	50001838	50001841
21	Panel, Tank	1	50001916	50001936
22	Panel Back	1	50001878	50001879
23	Hardware /Lid Set	1	50000355	50000355
24	Lid Assembly, Front	1	50002115	50002116
25	Lid Bumpers	4/6	50000177	50000177
26	Warming Rack, Enamel	1	50000802	50000889
27	Cook Grate	1	50001226	50001227
28	Door Assembly - Right	1	50002107	50002142
29	Door Assembly - Left	1	—	50002145
30	Support, Grease Pan	2	50001844	50001844
31	Front Warming Drawer Assembly	1	—	50001942
32	Grease Pan Assembly	1	50001842	50002157
33	Gauge, Temperature	1	50000967	50000967
34	12' Natural Gas Hose	1	50000198	50000198
35	Connector Hose - 3/8 Q.D. Assembly	1	50000915	50000915
36	Fascia Panel, Front	1	50002031	—
37	Axle	1	50000093	50000093
38	Axle Support Assembly	2	50002148	50002148
39	Caster	2	50000090	50000090
40	Grease Cup	1	50001845	50001845
41	Hardware Bag	1	50002130	50002130
42	Shelf, Front, Left - HL	1	50000986	50000986
43	Shelf, Front, Right - HL	1	50000984	50000984
44	Shelf Insert - S/S	1	50000826	50000826
45	Shelf Top - H - S/S	1	50001412	50001412
46	Shelf Top Solid - H - S/S	1	50001413	50001413
47	Support, Shelf, Left - Black	2	50001418	50001418
48	Support, Shelf, Right - Black	2	50001419	50001419
49	Wheel - 6" Diameter	2	50002151	50002151
50	Plate, Heat - H - S/S	4/5	50000777	50000777
51	Knob - H Style	5/6	50001328	50001328
52	Handle, Door - Deluxe	2/3	50000313	50000313
53	Smoke Box Body	1	50001038	50001038
54	Smoke Box Lid	1	50001039	50001039
N/S	Side Burner Kit - LP	1	—	50002215
N/S	Side Burner Kit - Natural Gas	1	—	50002214

iBuyGrillParts.com

iBuyGrillParts.com

888-634-4281